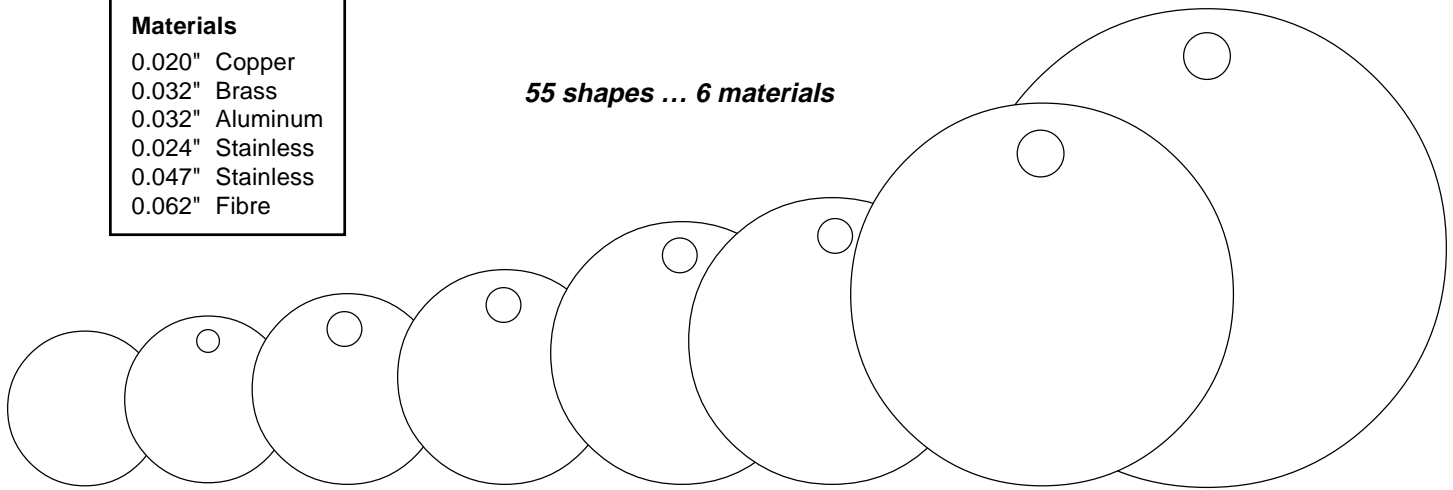


Materials

- 0.020" Copper
- 0.032" Brass
- 0.032" Aluminum
- 0.024" Stainless
- 0.047" Stainless
- 0.062" Fibre

55 shapes ... 6 materials



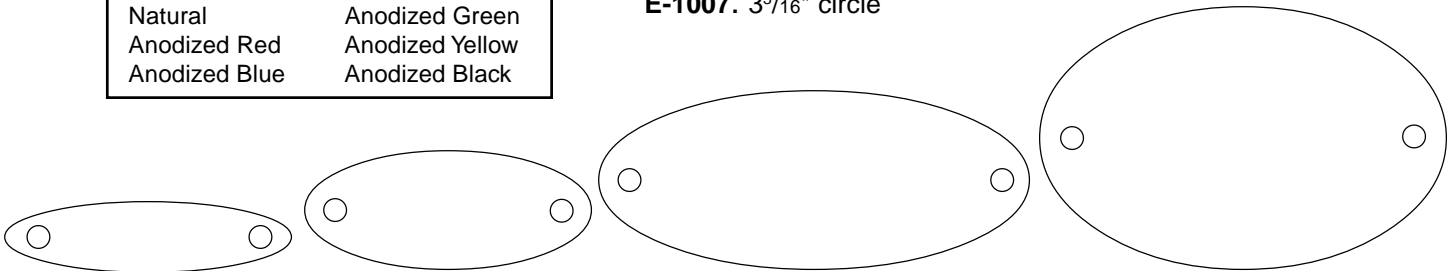
- | | | | | | | | |
|---|--|---|---|--|--|--|---|
| A-900
1 ³ / ₁₆ " circle | M-712
7/ ₈ " circle
1/ ₈ " hole | A-1000
1" circle
3/ ₁₆ " hole | M-711
1 ¹ / ₄ " circle
3/ ₁₆ " hole | A-1002
1 ³ / ₈ " circle
3/ ₁₆ " hole | A-1003
1 ¹ / ₂ " circle
3/ ₁₆ " hole | C-1006
2" circle
1/ ₄ " hole | MX-310
2 ¹ / ₂ " circle
1/ ₄ " hole |
|---|--|---|---|--|--|--|---|

Aluminum Colours

- | | |
|---------------|-----------------|
| Natural | Anodized Green |
| Anodized Red | Anodized Yellow |
| Anodized Blue | Anodized Black |

D-1005. 2¹¹/₁₆" circle - 3/₁₆" hole

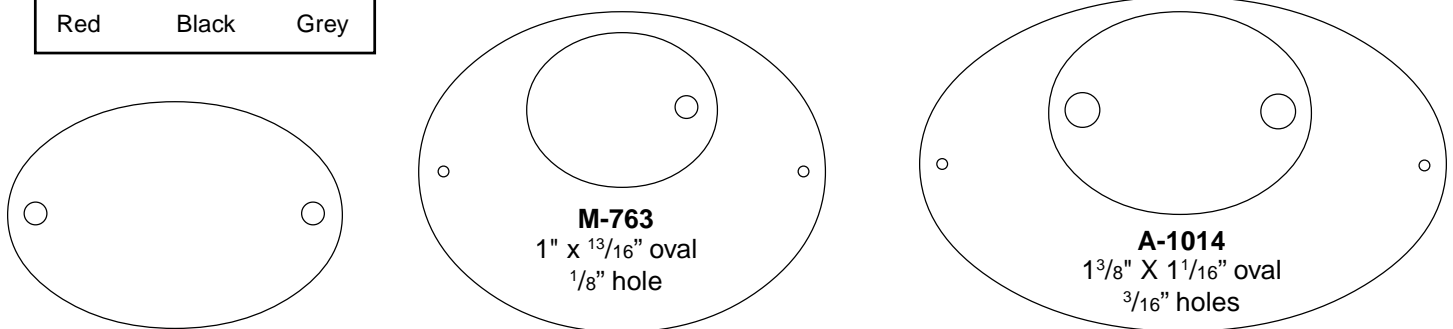
E-1007. 3³/₁₆" circle



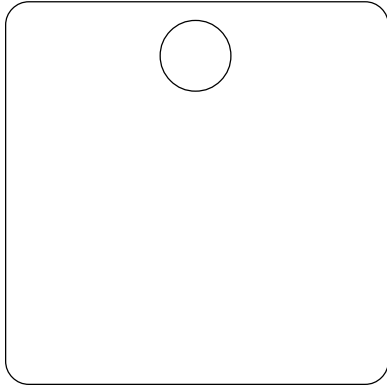
- | | | | |
|---|--|--|---|
| M-759
1 ¹ / ₂ " x 3/ ₈ " oval
1/ ₈ " holes | A-1010
1 ¹ / ₂ " x 5/ ₈ " oval
1/ ₈ " holes | A-1011
2 ¹ / ₄ " x 15/ ₁₆ " oval
1/ ₈ " holes | B-1015
2 ¹ / ₁ " x 1 ³ / ₈ " oval
1/ ₈ " hole |
|---|--|--|---|

Fibre Colours

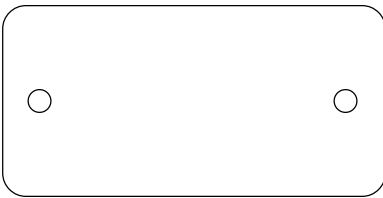
- Red Black Grey



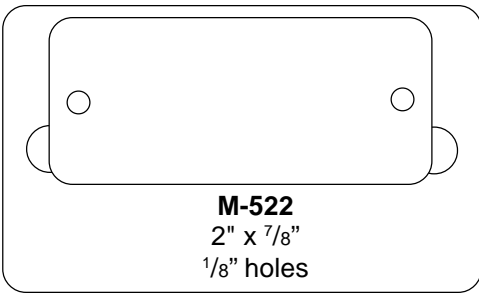
- | | | |
|---|--|--|
| A-1013
1 ³ / ₄ " X 1 ³ / ₁₆ " oval
1/ ₈ " holes | M-763
1" x 1 ³ / ₁₆ " oval
1/ ₈ " hole | A-1014
1 ³ / ₈ " X 1 ¹ / ₁₆ " oval
3/ ₁₆ " holes |
| C-1016
2 ¹ / ₈ " X 1 ⁵ / ₈ " oval
1/ ₁₆ " holes | M-214
2 ³ / ₄ " X 1 ³ / ₄ " oval
1/ ₁₆ " holes | |



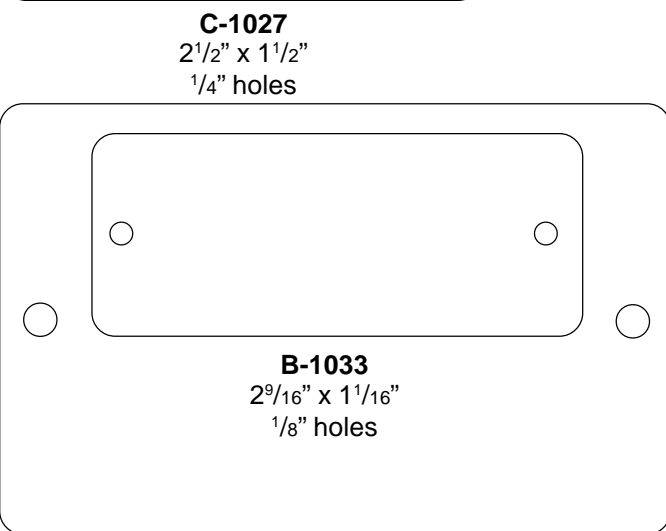
M-660
2" x 2"
3/8" hole



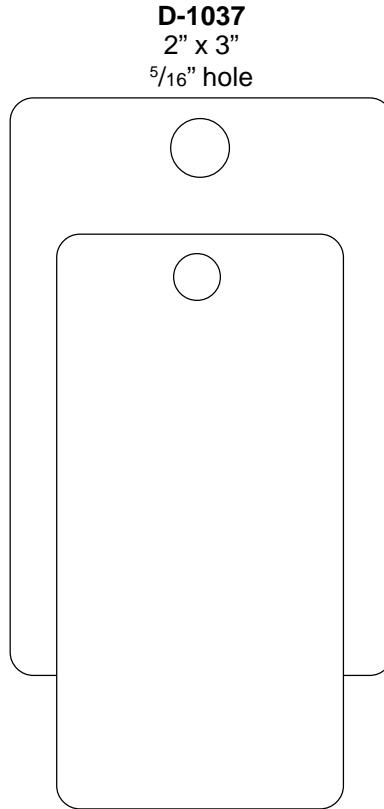
A-1022
2" x 1"
1/8" holes



M-522
2" x 7/8"
1/8" holes

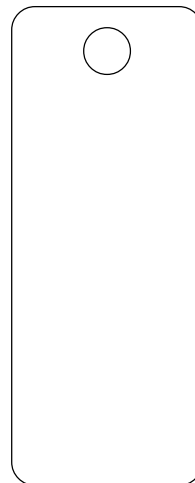


B-1033
2⁹/₁₆" x 1¹/₁₆"
1/8" holes



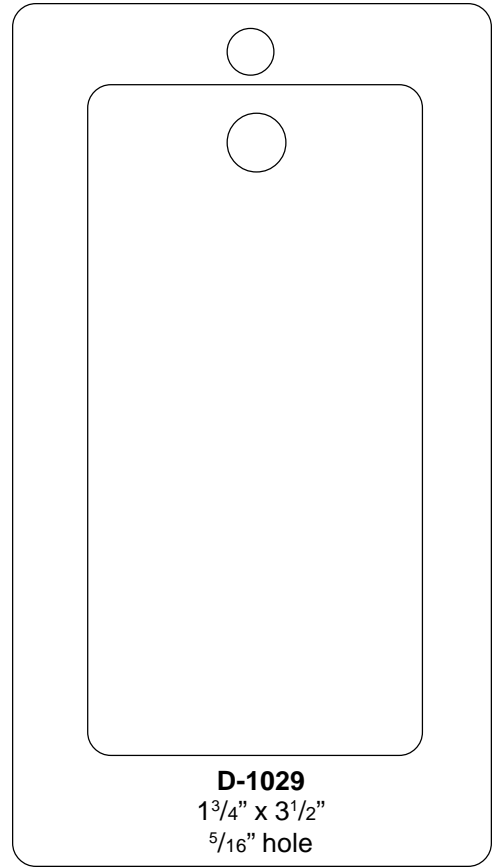
D-1037
2" x 3"
5/16" hole

C-1036
1¹/₂" x 3"
1/4" hole



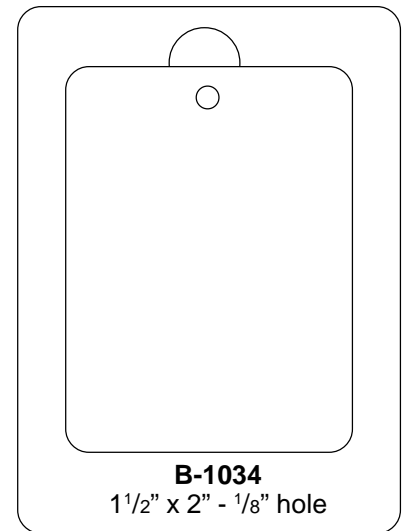
B-1024
1" x 2¹/₂"
1/4" hole

E-1039
3¹/₂" x 2¹/₄"
3/16" holes



D-1029
1³/₄" x 3¹/₂"
5/16" hole

E-1028
2¹/₂" x 4¹/₂"
1/4" hole



B-1034
1¹/₂" x 2" - 1/8" hole

M-840
2" x 2³/₄"
3/8" hole

