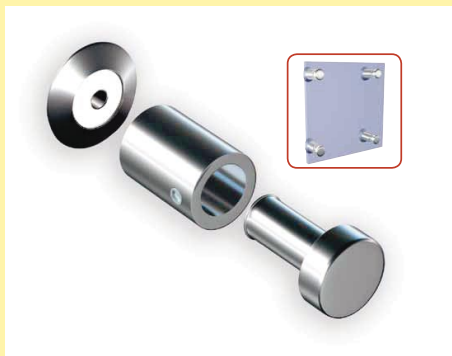


Wall Mounted --- Sign Supports

These sign supports are precision machined from stainless steel and anodized aluminum making them both attractive and durable. They utilize light and space effectively and beautifully by drawing attention to the materials and graphics displayed.

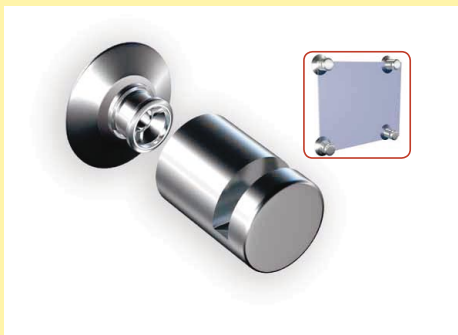
Pierced Panel Supports

- 3/4" diameter
- 1" projection
- 1/16" to 13/16" thick panel



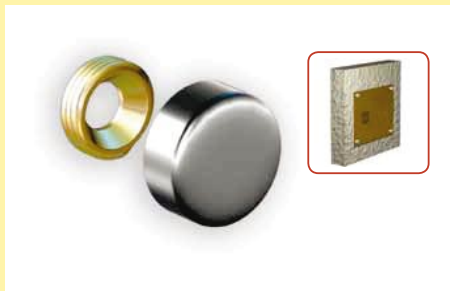
Side Grip Panel Supports

- 3/4" diameter
- 7/8" projection
- 1/16" to 7/16" thick panel



Screw Cover Caps

- Silver or gold finish
- 1/2" diameter
- 1/4" projection



SPEC DOCUMENT
1283

... Assembly Instructions

Phone, fax or eMail your Panel and Support requirements for a ...

FAST QUOTE